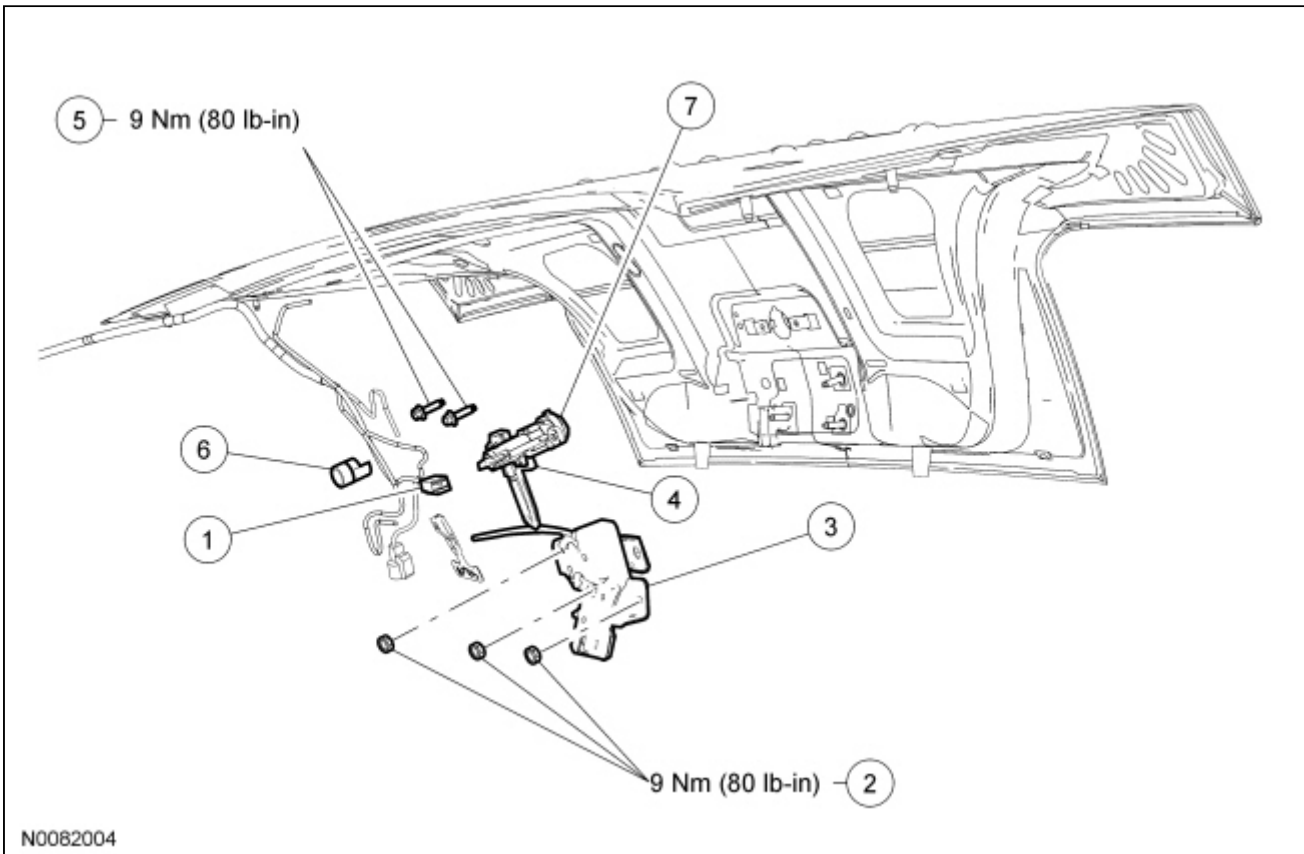


Luggage Compartment Lid Latch

Material

Item	Specification
Multi-Purpose Grease Spray XL-5	ESB-M1C93B



Item	Part Number	Description
1	—	Luggage compartment lid latch electrical connector (part of 19B516)
2	N807260	Luggage compartment lid latch nuts (3 required)
3	43200	Luggage compartment lid latch
4	—	Luggage compartment lid anti-theft inhibit switch electrical harness (if equipped) (part of 6343262)
5	W500614	Luggage compartment lid lock cylinder bolts (2 required)
6	—	Luggage compartment lid release cable (part of 43200)
7	43262	Luggage compartment lid lock cylinder

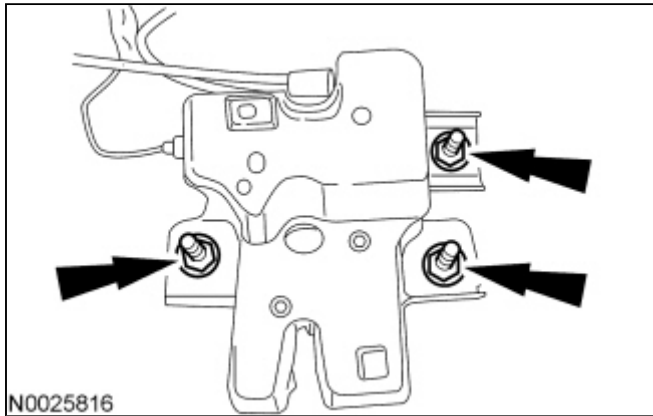
Removal and Installation

1. Remove the luggage compartment lid trim panel.
2. Disconnect the luggage compartment lid latch actuator cable from the luggage compartment lid lock cylinder.

3. Disconnect the luggage compartment lid latch electrical connector.
4. **NOTE:** Mark the location of the luggage compartment lid latch to aid installation.

Remove the 3 luggage compartment lid latch nuts.

- To install, tighten to 9 Nm (80 lb-in).



5. Remove the luggage compartment lid latch.
 6. To install, reverse the removal procedure.
 - Lubricate the luggage compartment lid latch after installation.
-